

Owner's Manual & Assembly Guide

Model No. W30' x L85' x H15' DENSER ROUND SERIES

1m Spacing



*** See Inside for Detailed Safety Information.**

*Gloves must be worn
at all times to reduce risk of injury!*

**PLEASE READ AND UNDERSTAND INSTRUCTIONS COMPLETELY BEFORE ASSEMBLY.
LAY OUT FRAME PARTS AS BELOW:**

No.	Description	1m Arch Space Qty
1	Roof Bent Tube	27
A1	Clip for Lacing Front and Back Cover	2
2	Upper Bent Tube	50
2A	Upper Bent Tube for Doors	4
3	Lower Bent Tube	50
3A	Lower Bent Tube for Doors	4
4	Purlin	130
4A	Top Cross Tube	50
4B	Top Vertical Tube	25
5L	Base Plate for Left Corner	2
5R	Base Plate for Right Corner	2
6	Base Plate for Front and Back Doors	4
7	Middle Base Plate	50
8	Lower Standing Legs for Doors	4
9	Upper Standing Legs for Doors	4
10	Front and Back Doors Side Cross Beam	4
11	Mechanical Door Cross Beam	2
12	Lower Tension Tube for Front and Back Covers	4
13	Diagonal Brace	12
13A	Clips	24
14	Knitting Tube for Cover	20 / 2 GROUPS
15	Vertical Support Tube for Doors	4 / 2 GROUPS
16	Stake peg	170
17	Carriage Bolts M10*90	135
18	Carriage Bolts M8*60	324
18A	Carriage Bolts M8*80	16
19	Bolts M10*30	80
21	Ratchet Tie Down	54
22	Roof Cover	1
23	Front and Back Covers	2
24	Rope	1
25	Large Tension Band	54
26	Plastic Plug	12
27	Tension Ball	4
28	Rope for Mechanical Door	4

PARTS SKETCH



1



A1



2



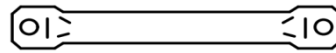
2A



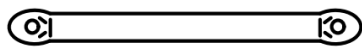
3



3A



4



4A



4B



5L



5R



6



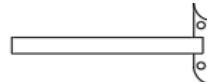
7



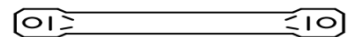
8



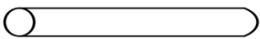
9



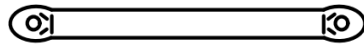
10



11



12



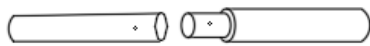
13



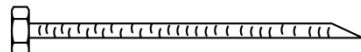
13A



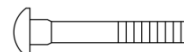
14



15



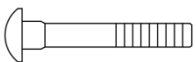
16



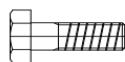
17



18



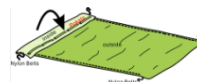
18A



19



21



22



23



24



25



26



27



28

SPECIFICATION

Width: 9.15m Length: 26m Height: 4.5m
Door dimension: W11.5*H11.5ft (W3.5m*H3.5m)

NOTE: FRAME EXTENSION KIT

This is the base frame dimension. Your model may have more or less middle ribs than shown in the illustration. You will receive more extraribs for every extra arch spacing of building length that you purchase. The basic frame assembly will remain the same. The cover will be the correct size for the length of the building.

INSTALLATION PROCESS

A—BASE INSTALLATION

Before building your shelter, you should choose a flat area on your property and plot your shelter.

1. Stake out the area for the shelter in the desired spot. The width of the area should be at least equal to the width of the shelter and the length should be equal to the length of the shelter.
2. Measure diagonally from centre to centre of the tubes. These measurements should be the same. If they are not equal the stakes need to be adjusted until the width, length and inside measurements are correct.

Please refer to the diagram (Figure 1) to place the base plates.

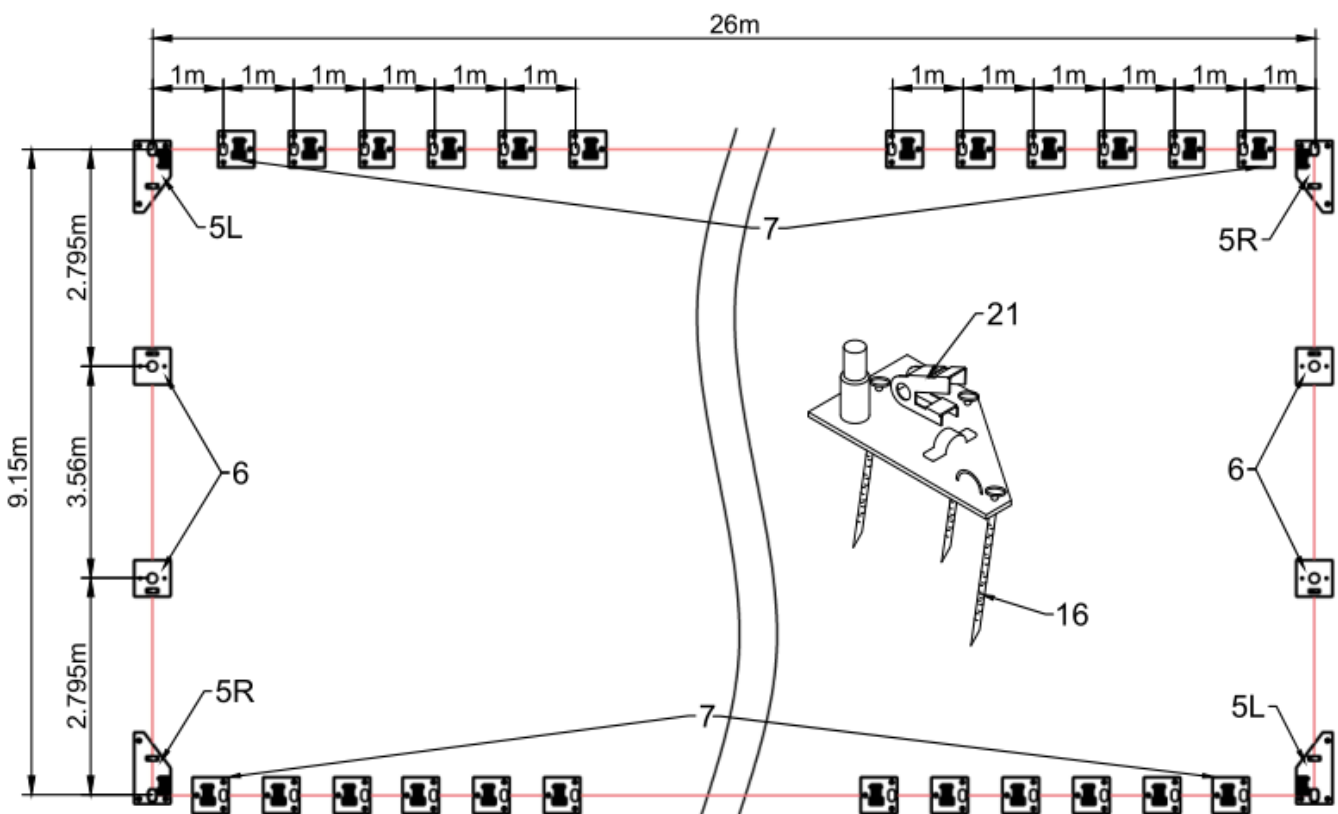


Figure 1

As Figure 1 shown each Base Plate is equipped with three pieces of Stake Peg (No.16).

Note: The Stake Pegs apply for normal conditions, not suitable to the rock ground, frozen soil and concrete ground.

B—FRAME INSTALLATION

1. As Figure 2&3 shown to find one Roof Bent Tube (No.1), two pieces of Middle Bent Tubes (No.2), Lower Bent Tube (No. 3) and assemble every group arch with Screw M8x60 (No.18). DO NOT install the screw on the top of the truss where the fabric will rest.

Note: Middle Bent Tube and Lower Bent Tube for two end tubes (No.2A&3A) which are welded with steel plates for upper portal (No.9) and Upper horizontal connection tubes for door (No.10) are different.

2. As shown to fix Roof Support Tube by using Bolt

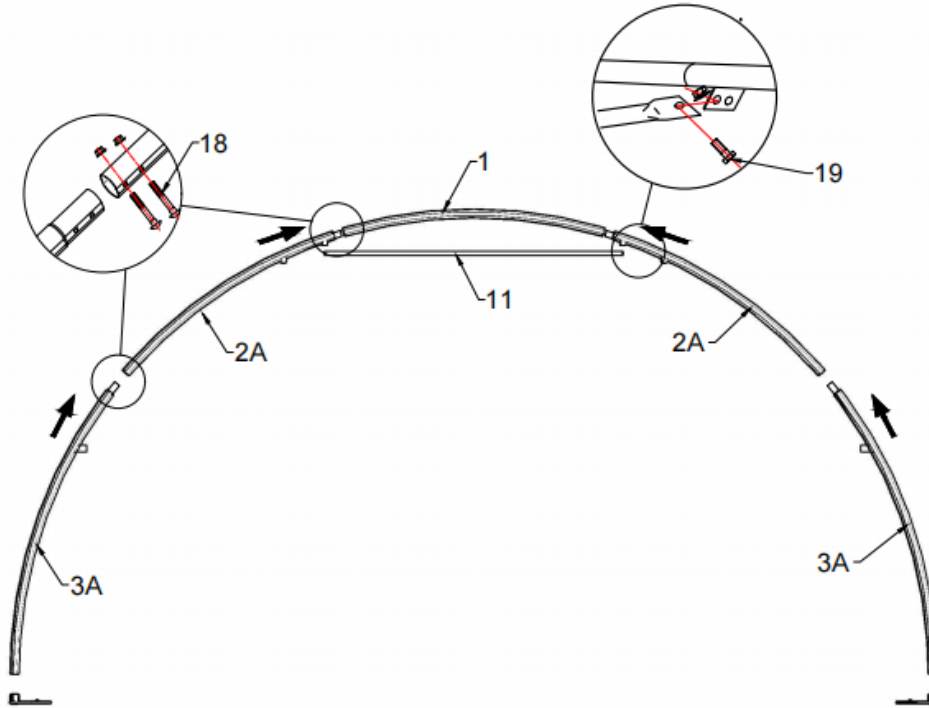


Figure 2

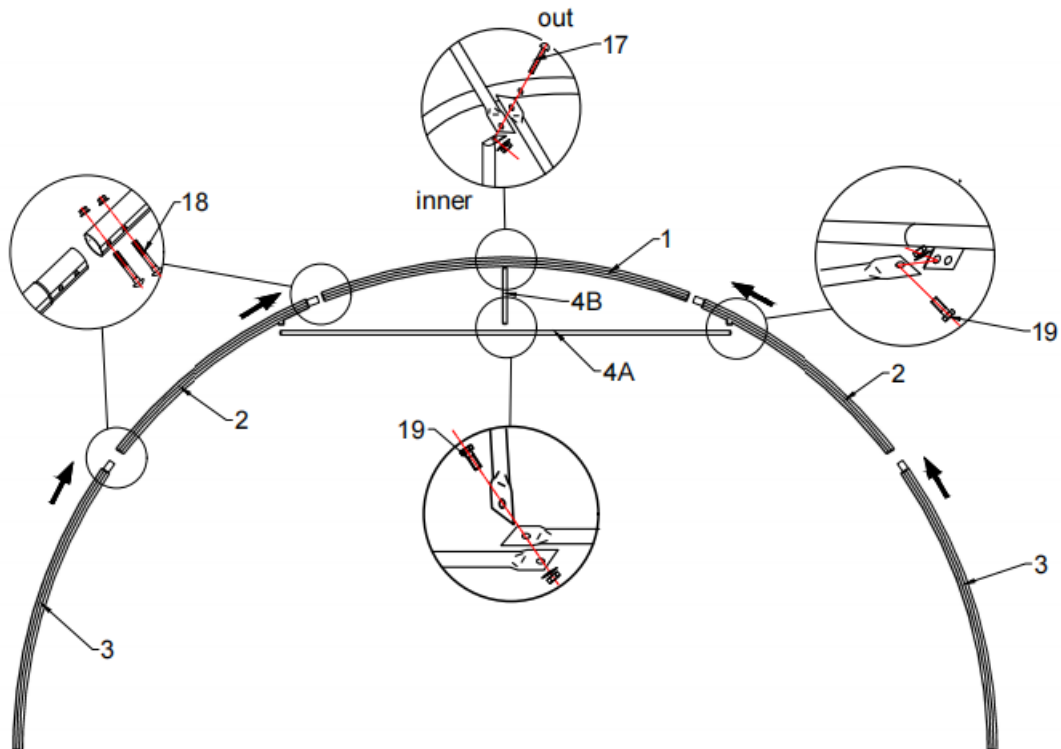


Figure 3

3. Lift an assembled arch onto one base plate and force the other end of the arch onto the opposite base plate.

- When finish installing the first two arches into the base plates, use purlins (No.4) to connect them by Bolt Carriage M10x90 (No.17). Then install the third arch into the base plate and connect the Purlins. In this turn, fix all other arches and other purlins. Then come to install the front panel and back panel. Find the relative components and assemble them. The horizontal Strengthening Support Tube (No.4A) under the roof bent tube is used for making the frame be much stronger. Please check the figure 6 and 7 for reference.
- Connect the Diagonal Bracing Tube (No.13) with clip (No.13A) between the Lower Bent Tubes as figure 4 and 5.

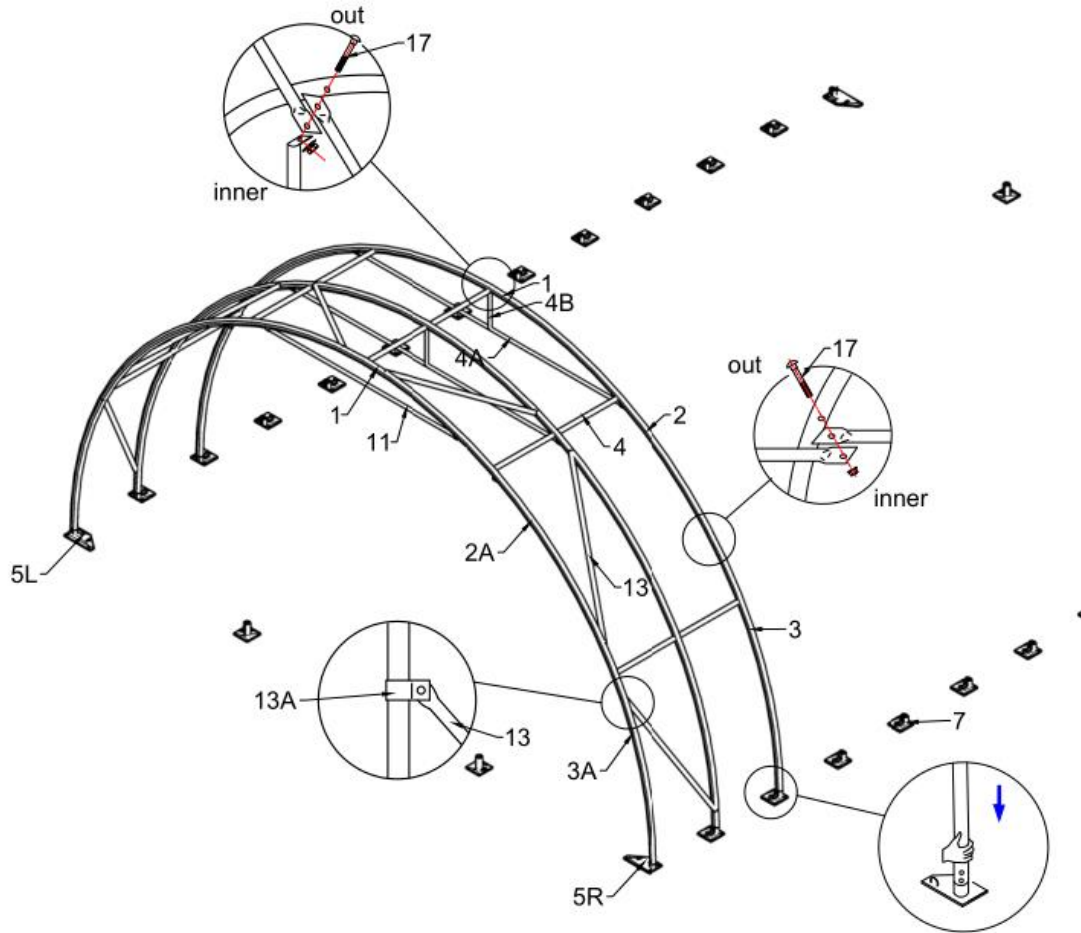


Figure 4

THINK SAFETY, EVERY DAY!

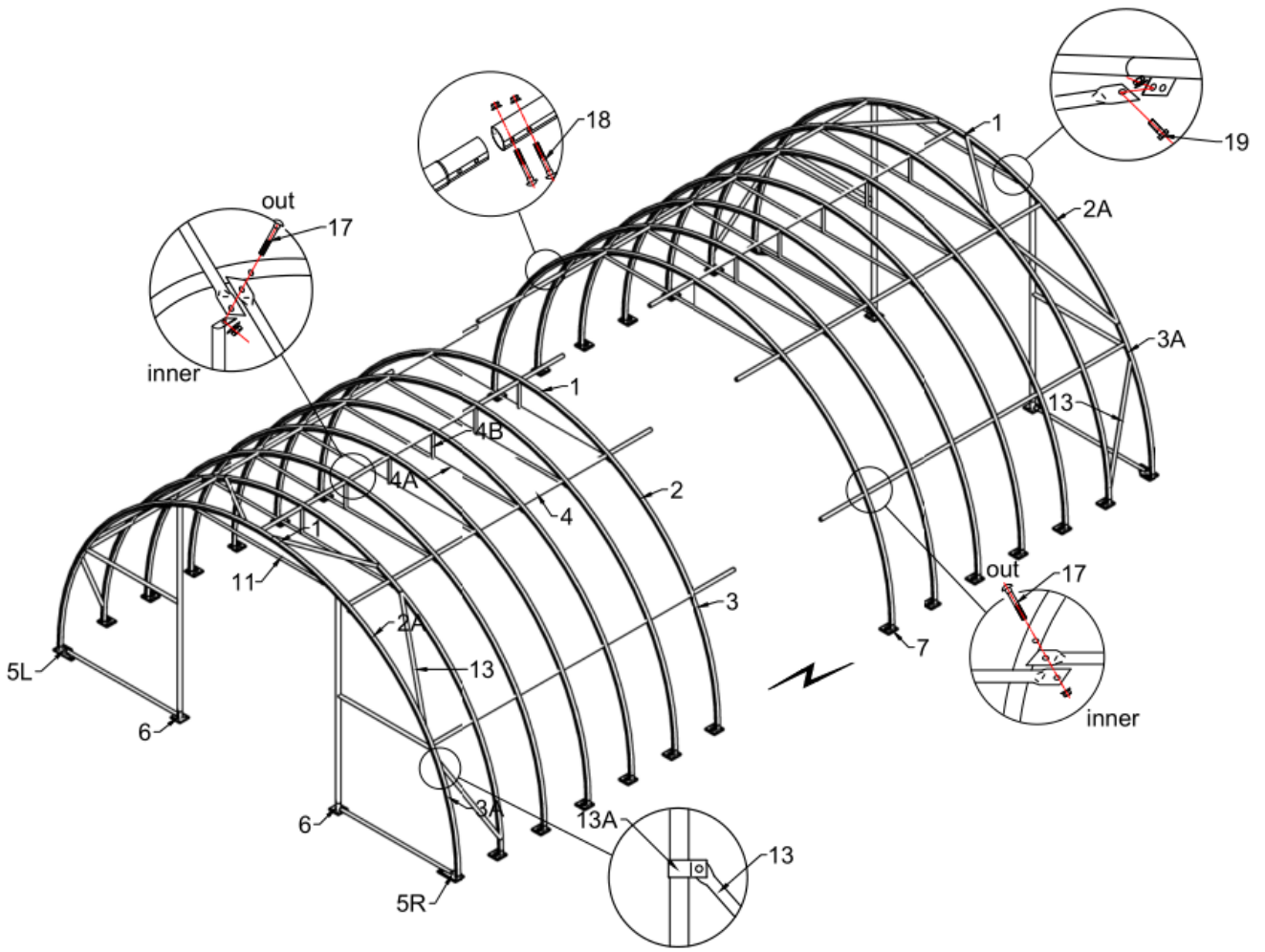


Figure 5 FRAME SKETCH

C—INSTRUCTION THE FRONTAND BACK COVER

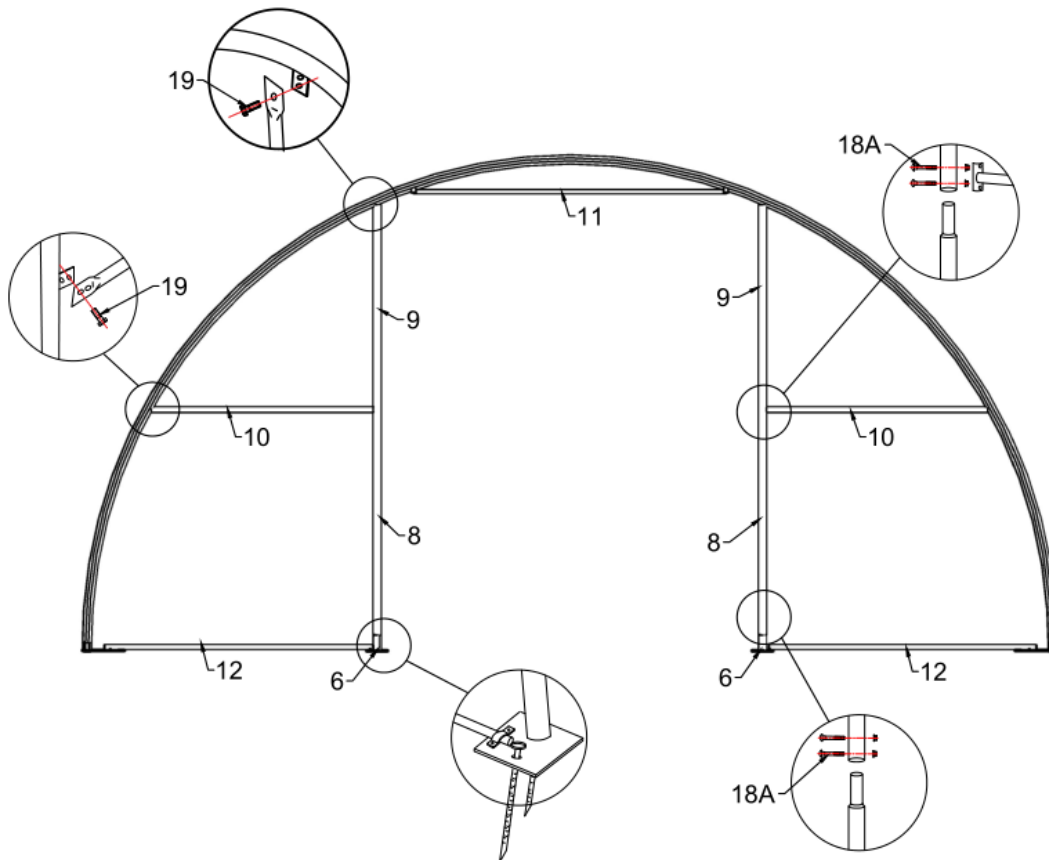


Figure 6

1. As Above Figures shows, find out all spare parts for the front wall. connect them together by use screw, make sure the spacing. There are stake pegs for base plates.
2. Fit the tension tube (No.12) and then insert into the base plates as shown, install the Connection tubes for door (No.10).

Method of Fastening Front and Back Cover .

3. Use Knitting Rope (No.24) for Front and Back cover (No.23) to lace the grommets in the end to the tension tubes evenly.
4. The end covers are tied to the frame (Roof, Middle & Lower Bent Tube) by Knitting Rope. They are also been secured to the end frame (door tube and side rail) by Knitting Rope.

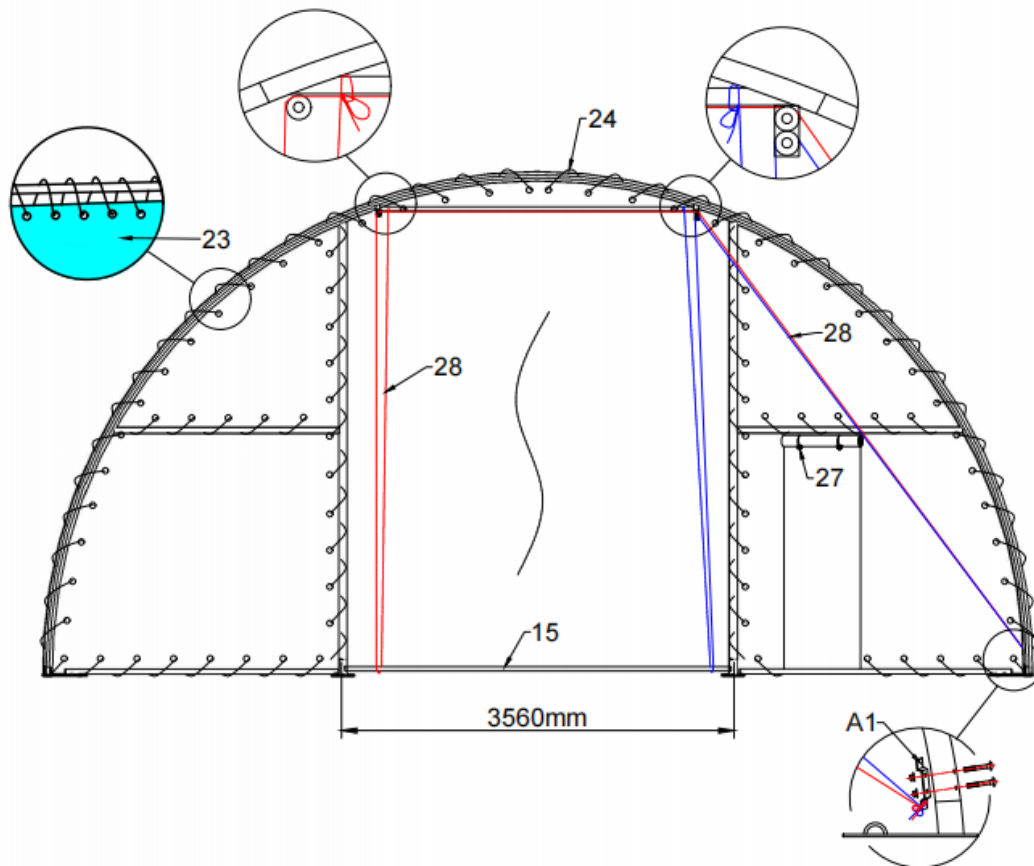


Figure 7

5. There are two pulley on right door beam, one end of the rope should tie to the beam, then rope goes from top to bottom , then from bottom to top and go through the lower right pulley and finally tie onto the base plate. There is one pulley on the left door beam, one end of the rope should tie to the beam, then rope goes from top to bottom , then from bottom to top and go through the left pulley first, then go through the upper right pulley and tie to the base plate. Make sure when you pull the rope, the door could go up and down fluently.

D—INSTRUCTION THE ROOF COVER

NOTE: DO NOT install the cover onto the frame of your building in high wind conditions. A slight breeze is the most advantageous for cover installation. To take advantage of the breeze, pull the cover up over the arches with breeze blowing in the cover like a sail filled with air.

1. Assemble Tension Tube for Roof Cover (No.14) before installing the cover.
2. Roll out the roof cover on a ground sheet. Align the cover evenly to each end of the frame.

Note: Be sure doing not pullover the end of the roof cover.

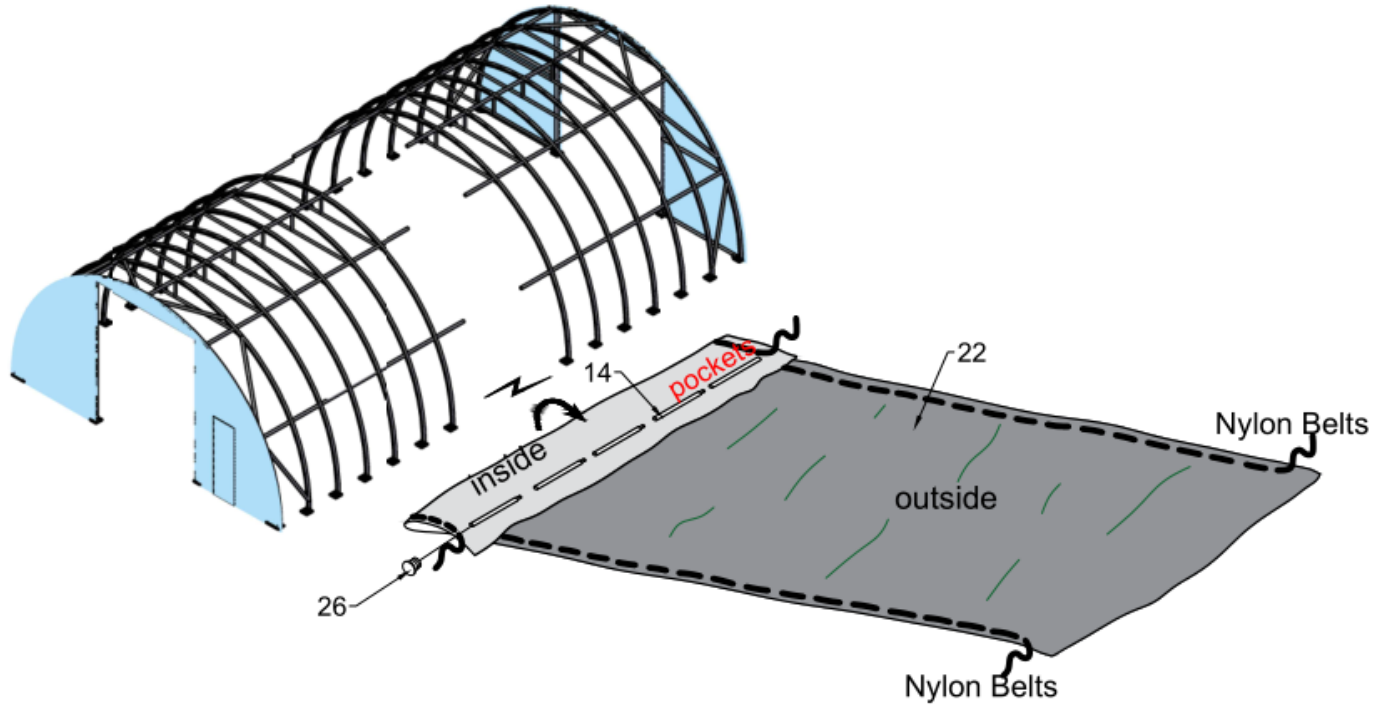


Figure 8

3. Pull the cover over the frame **EVENLY, CAREFULLY AND SLOWLY.**

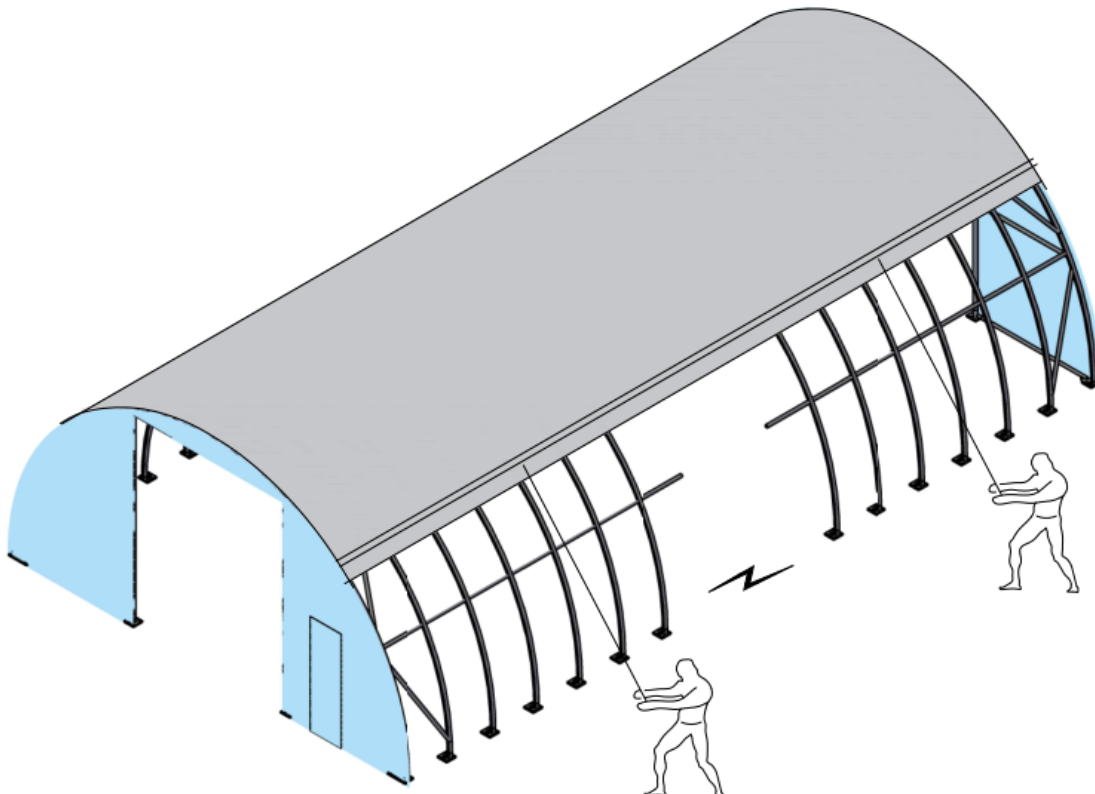


Figure 9

4. Insert the tension tubes (No.14) into the cover pipe pockets and loosely secure the Nylon Band (No.25) for Ratchet (No.21). DO NOT TIGHTEN. Adjust the cover so that it is square and evenly centered on the frame. Put the lower tension tube inside.

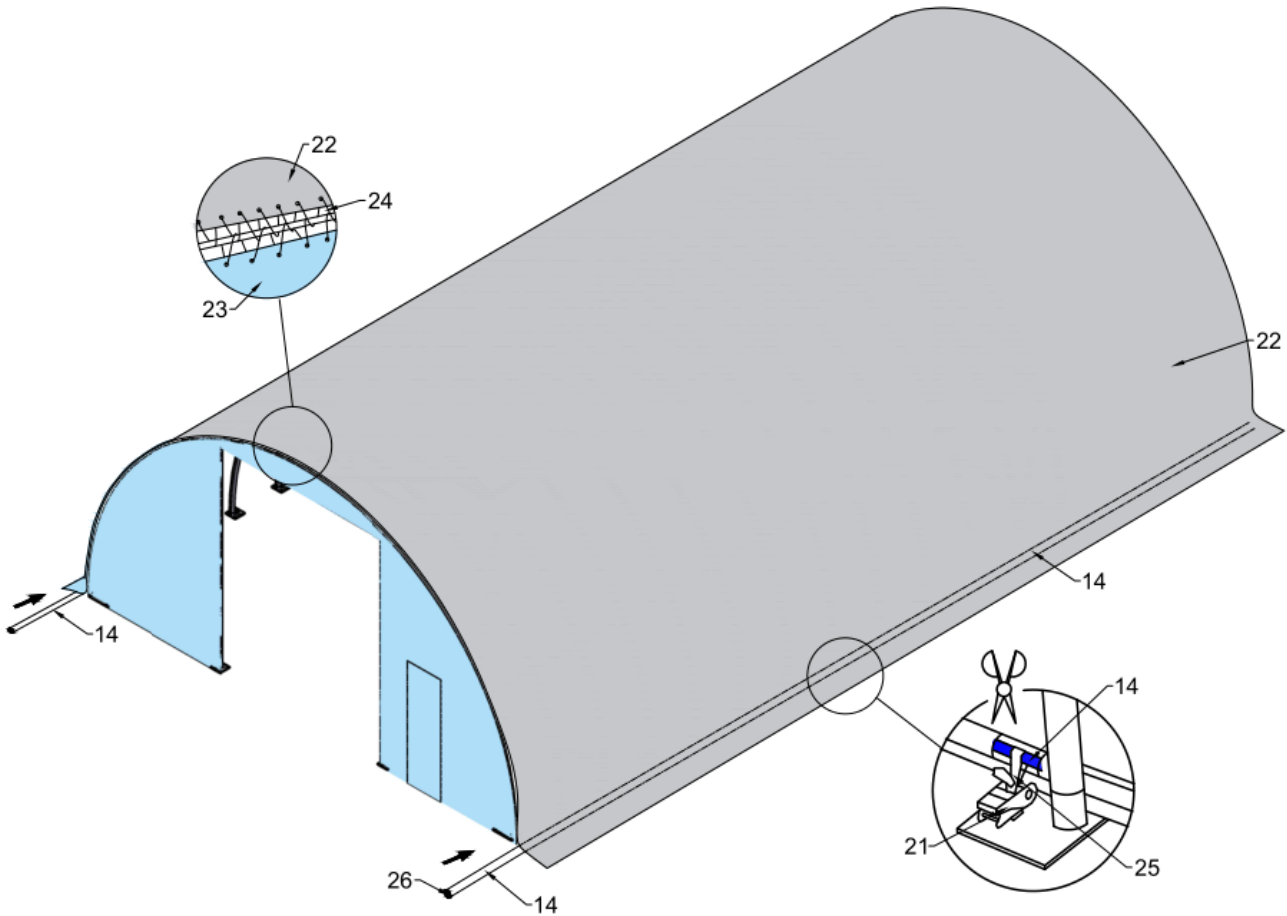


Figure 10

Note: The end flaps must overhang evenly at both ends.

5. With the end flaps flipped back and out of the way, use the supplied Knitting Rope (Part No. 24) to tighten the roof cover to the end arches. The rope should be cut as your requirements when using. The recommended procedure is to use separate pieces of rope and start by first lacing the cover from the bottom edges up to the top center. Secure the ropes at the top center and then apply tension as you lace down both sides. Fasten the rope at the bottom edge. Put the Plastic Plug (No.26) for part No. 13& 14 onto the end of tubes. Drive the Ratchet Tie Down forth and back and then roof cover is tightened.
6. Tidy the cover, Roof Cover, Back Cover and Front Cover. Fasten the band inside the end of the roof cover, make the cover well fold to the frame and tie the end of the band to the Clips on Base Plates at four corners.

NOW THE INSTALLATION IS FINISHED.

Please check the below installation detailed pictures:



(A)



(B)



(C)



(D)



(E)



(F)

NOTE: DO NOT LEAVE THE ROOF COVER UNATTACHED UNDER ANY CIRCUMSTANCES until the final assembly and tightening has been completed. The process is quite easy. But some tightening adjustments will be necessary to produce a flat, tension ed roof cover. Please adjust the roof cover every month.